

The ultimate mobility tool

Batec handbikes are a comprehensive solution to your mobility problems:

- ✓ Go from reduced to **augmented mobility**; from needing help to being **independent** and **proactive**.
- ✓ Get a **2 in 1**, without giving up your manual wheelchair.
- ✓ **Overcome obstacles** and **drive over bumpy terrains**.
- ✓ Attach our handbikes **in just seconds** and **with no need for transfers**.
- ✓ Also available for **quadriplegics** and **hemiplegics**.



Request a quote or a demonstration without any commitment!

You CAN get used to being in a **wheelchair**



But not to giving up on

LIFE

www.batec-mobility.com

BATEC MOBILITY S.L.

Illa de Buda, 2

08192 Sant Quirze del Vallès
(Barcelona) - ESPAÑA

93 544 2003

info@batec-mobility.com



BATEC SCRAMBLER

Break through your limits

BATEC SCRAMBLER, break through your limits

Our most **powerful**, off-road handbike. For motorbike-lovers looking for intense driving sensations. With the latest **Batec Mobility** technology, an ultra-wide **19" wheel**, stand frame with suspension and top speed of **30 km/h**.



All-in-one LCD screen with gear selector. Horn and USB port.



19" wheel, ultra-grip tyre and double-wall black aluminium rim.



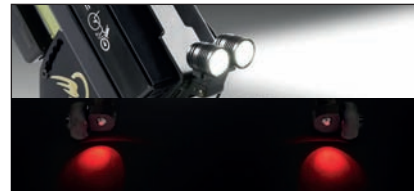
300 RPM 1200 W high-torque brushless motor with reverse gear. Maximum speed 30 km/h.



Stand frame with suspension.



Avid BB7 mechanical brakes, aluminium brake levers with parking brake.



1400-lumen dual front light with position light. Dual LED tail lights on the stand frame.



Removable right dropout for easy inner tube or tyre change.



Removable QR weights.



Battery life of 22 km* with a 36/48 V - 280 Wh battery. Battery life of 50 km* with a 48 V - 678 Wh 4A charger.



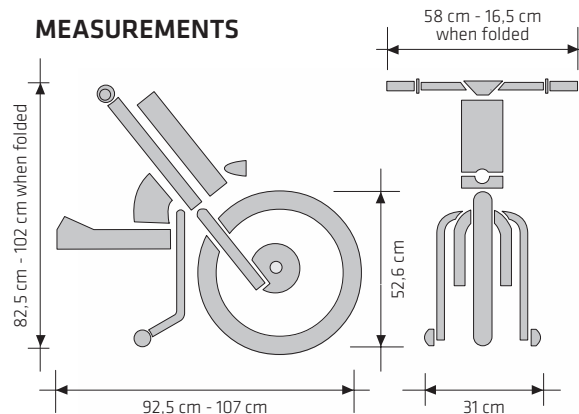
Matte black aluminium handlebar with folding system for convenience.



G&B handlebar option without levers for quadriplegics.



Handlebar option with right or left Monolever brakes for hemiplegics.



COLOURS



* Autonomy calculated under the following conditions: 75 - kg user, ultra-light wheelchair, flat terrain, no wind and steady speed of 15 km/h. May vary +/- 20% depending on the battery. Number/version: MM-009/1.0